

Model LP-1000/LP-1001

LAYER PAC™ CASE LOADER

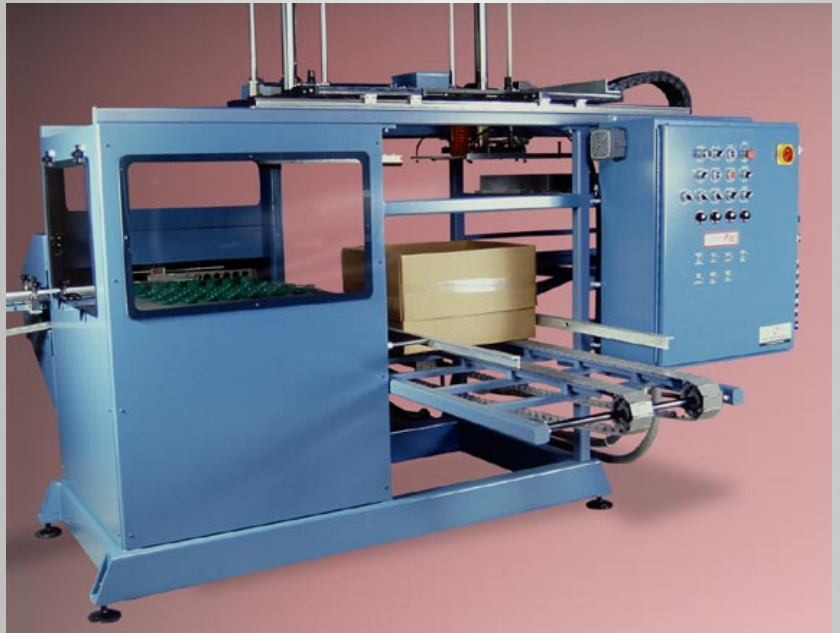
The Model LP-1000/LP-1001 is an automated Layer Pac case loader that will load highly decorated product without damage.

The LP-1000/LP-1001 will load nested or stacked product into cases or trays with or without layer separators.

The microprocessor-controlled LP-1000/LP-1001 loader can form any of three types of layers – square pack, dense pack 1, or dense pack 2 – on a live matrix generating table, where product never pushes on product to form the layer. Highly decorated product can be loaded with no damage.

The pick up and load can be accomplished by a mechanical, magnetic, or vacuum platen, depending on the type of product. The LP-1001 can automatically place separators between layers of product, and at both the top and bottom of the case, as required.

The open erected cases are automatically fed into the load zone and exited when full. The LP-1000/LP-1001 will accommodate a case size up to a 29" cube. Applications for product loading by the LP-1000/LP-1001 include both oval and round decorated deodorant containers, plated metal closures, 110mm lids, decorated plastic closures, thin-wall closures, round and oval bottles.



Exclusive Features:

- Live matrix generating table eliminates product damage
- Choice of three packing matrices
- Effectively handles odd shapes such as ovals
- Easily adapts to various container sizes
- Slip sheet separator option
- Carton indexing



GEORGE GORDON ASSOCIATES, INC.

COMPLETE PACKAGING MACHINERY SYSTEMS

Model LP-1000/LP-1001 LAYER PAC CASE LOADER

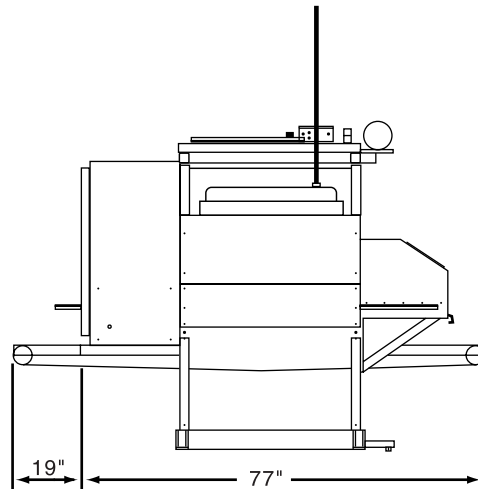
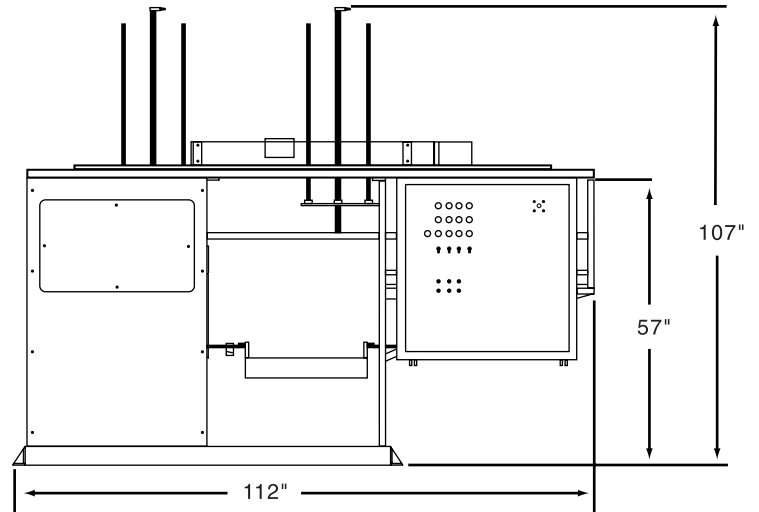
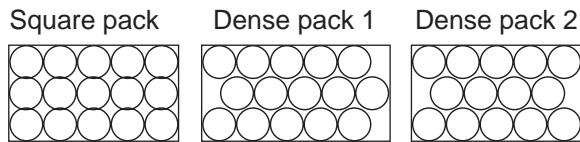
Model: LP-1000/LP-1001

Features:

- 29" x 29" x 29" maximum case size
- 15" x 15" x 15" x 1 layer minimum case size
- Choice of square pack, dense pack 1, or dense pack 2
- Case indexing
- Live matrix generating table
- Nesting

Options:

- Multiple case infeed/discharge configurations
- Tooling for different container sizes



Technical Data

Electrical: 220 VAC, 60 Hz

Current: Approximately 30 Amperes

Compressed Air: 10 scfm @ 90 psig max.

George Gordon Associates, Inc.

4 Townsend West, #5

Nashua, NH 03063

Call 603-889-5336

FAX: 603-889-6878

Web: www.ggapack.com

E-mail: sales@ggapack.com

Order Number

XX-XXXX-X-XX-X

LP-1000: Layer Pac Case Loader

LP-1001: Layer Pac Case Loader with Slip Sheet Separator

-0: No Casters

-C: Casters

-SQ: Square Pack

-D1: Dense Pack 1

-D2: Dense Pack 2

-0: No Case Indexing System

-C: Case Indexing System

Also Available:

- Model LP-500 for carton sizes up to 20" x 20" x 20"; please contact factory

© Copyright 1998 George Gordon Associates, Inc.
OEMM980828r.2

