

Model PMPS-300L
PMPS-300D

PACKET MAKE & PLACE SYSTEM

(Vertical Form, Fill and Seal)

The PMPS-300 Packet Make and Place System is designed to form, fill, seal, cut and place packets on the conveyor of the wrapper system.

The PMPS-300D self-driven system has a self-contained electronic drive which uses a line shaft mounted encoder for timing to the wrapper. This also allows adjustment of packet placement position while the machine is running.

The PMPS includes the positive make and place outfeed to ensure packet position in the conveyor.

The snap action take-away will enhance knife life up to three months.



Exclusive Features:

- Speeds approaching 240 cycles per minute
- Dedicated size 1 1/4" x 1 1/2"
- Line-shaft or self-driven
- Handles most dry, free flowing material
- Eliminates leaks and skips
- Small footprint



GEORGE GORDON ASSOCIATES, INC.

COMPREHENSIVE PACKAGING SYSTEMS

Model PMPS-300L/PMPS-300D

PACKET MAKE & PLACE SYSTEM

Models:

PMPS-300L

- Line-shaft driven
- PMPS-300D
- Self-driven

Features:

- Precise filling
- Packet placement adjustments on the fly
- Fully guarded
- Snap action take-away
- Positive outfeed

Options:

- Self-powered or line-shaft driven
- Dedicated sizes

Technical Data

Electrical:

PMPS-300L 115 VAC, 60 Hz

PMPS-300D 230 VAC, 50/60 Hz

Compressed Air: 1 cfm @ 40 PSIG

Current: 5 Amps maximum

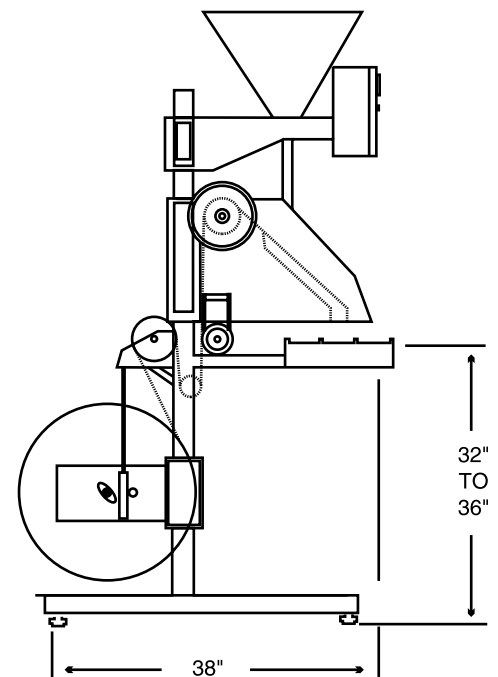
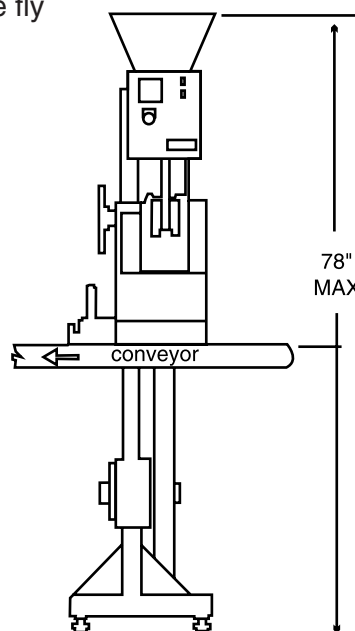
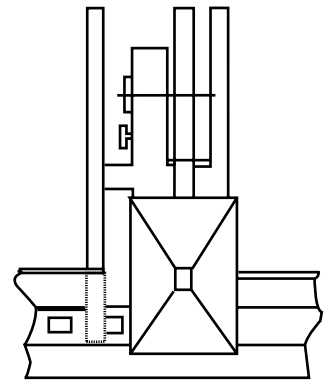
Speed: up to 240 cycles per minute

Volume Accuracy: $\pm 1\%$

Weight Consistency: $\pm 1\%$

Salt fill: 1.0 grams; Pepper fill: 0.2 grams; same volume

Precise filling without leakers or skips. The PMPS-300 Packet Make and Place System includes a positive outfeed and a snap action take-away to enhance knife life.



Order Number

XXXX-XXXX-X

PMPS-300: Packet Make & Place System

D: Line-driven

L: Self-driven

-P: Single color printing

-0: No printer

George Gordon Associates, Inc.

12 Continental Blvd.
Merrimack, NH 03054

Call 603-424-5204

FAX: 603-424-9031

Web: www.ggapack.com

E-mail: sales@ggapack.com