

Model: SOM-10N

# FLOW WRAPPING MACHINE

From years of experience wrapping difficult multi item kits, George Gordon Associates offers the SOM-10N, Flow Wrapping Machine designed for high speed and high efficiency. The ruggedly built SOM-10N system provides the very best of electronic features to give you control of both your production and maintenance.

Production throughput increases as the communication friendly controller provides complete line supervision. Over 100 recipes for touch screen retrieval makes product changeover as easy as selecting your favorite TV channel. Product position monitoring for out-of-position no-cut is another new electronic feature that means more good packages. This electronic positioning surveillance reduces wear and tear on the machine and makes sure the product to be wrapped is in position for the seal and cut. Package QC options ensure good packages when possible. Preprinted film registration with correction in both directions provides high accuracy and more good packages out the door.

Maintenance planning and control is made easy with additional electronics for on screen preventive maintenance flag and a maintenance scheduling window showing the work needed. The system not only monitors itself but also many auxiliary machines as well. Line diagnostics report exactly where a problem occurs saving troubleshooting time. The modular mechanical design and easy access features simplify keeping your machine at top performance.



## Exclusive Features:

- **Precision packaging** with multi-axis servo control
- **Easy operation** with touch screen & diagnostics
- **Save time** with networking connectivity
- **Aid maintenance** with on screen PM flag and monitor
- **No crunch waste** with positioning surveillance option
- **High throughput** with two-direction registration correction
- **Optimum package** with individual fin wheel & crimp servos
- **Precision film tracking** with a servo for each fin wheel
- **Save troubleshooting** with electronic line supervision
- **Fast change time** with over 100 recipes with touch screen retrieval
- **Easy maintenance** with modular snap-in fin wheels
- **Increase change-over options** with modular conveyor
- **Easy access** with hinged pole-mount electrical cabinet
- **High serviceability** with modular construction



**GEORGE GORDON ASSOCIATES, INC.**

**COMPREHENSIVE PACKAGING SYSTEMS**





Precision-built electronics with UL approval and option for CE mark

Full color touch screen operator interface, with diagnostics and line monitoring

Simple overhead film unwind system or powered unwind option

Shimless crimp and seal adjustments

Independent servo drive and motor allows programmable film draw

Precision forming box for easy web setup and control



UL approved control panel with multi-axis servo

Small footprint

Modular conveyor with options to fit the application

**Other Wrapping Products: SOM-10NW for film widths up to 24", and the GPS-10N for multi-item kits**

# Model: SOM-10N FLOW WRAPPING MACHINE

## Additional Features:

- Servo follows conveyor for start/stop operation
- Overhead film unwind system
- Speeds up to 400 per minute
- Precision forming box for easy web setup/control
- Adjustable pressure setting for fin wheels
- Precision head for crimping and cutting
- UL approval and CE mark option
- 12 inch web width (24 inch on SOM-10NW)
- Adjustable gap setting for crimpers
- Shimless head and knife adjustments
- Double E-stop; one on panel and one on remote operator station

## Options:

- Electronic positioning surveillance
- Powered unwind for thin, delicate films
- Option for web tracking with edge detection
- Single or double unwind
- 1, 2 or 4 up servo crimper head
- Straight or zigzag knife
- Four choices of fin seal
- 4 1/2 or 6 inch crimp width

## Technical Data

Electrical: 230 VAC, three-phase, 50/60 Hz

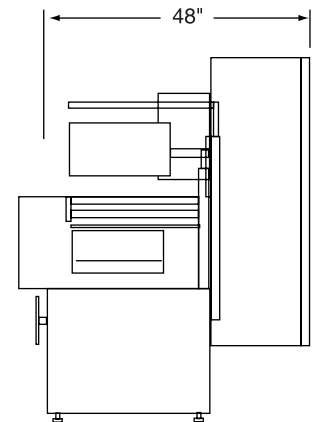
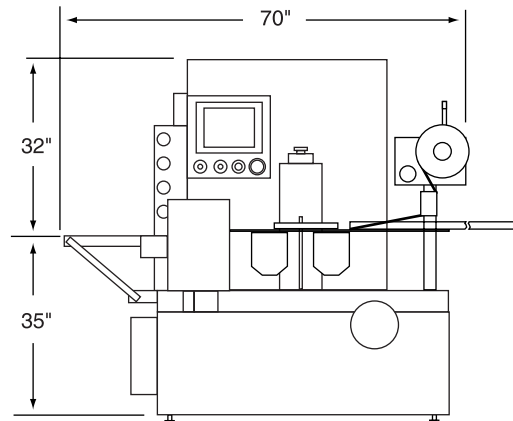
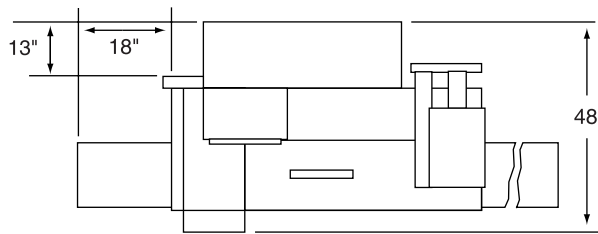
Current: Approximately 40 Amps

Compressed Air: 1 cfm @ 80 PSIG

Production: Up to 400 cycles per minute

Package Size: 1" to 5" in width by 2" to 20" in length

Web Width: Up to 12"



## Order Number

SOM-XXX-XX-X-X-XXXXX-XXX

SOM: Flow Wrapping Machine

-10N: Servo controlled 2 to 20 inch cut off

-SO: Single unwind

-DO: Double unwind

-PS: Single powered unwind

-DP: Double powered unwind

-1: 1-Up crimper head

-2: 2-Up crimper head

-4: 4-Up crimper head

-S: Straight cut knife

-Z: Zigzag knife/crimp

-L: 1/8 wide straight line pattern

-I: Inline crimp pattern

-C: Cross crimp pattern

-#: 4 1/2 or 6 inch crimp width

-S: Servo package

-L: 1/8 wide straight line pattern

-C: Cross seal pattern

-I: Inline seal pattern

-K: Crosshatch seal pattern

-M: Modular lug conveyor

#: Number indicates total length

L: With line shaft

0: Without line shaft

#: Flight space in inches

-FDA: Food grade materials touching the product

-ER: Eye-mark registration

-PS: Electronic position surveillance

-WT: Web tracking with edge detection

-AS: Auto splice

-AF: Adjustable former; 3 to 7 inches

-SB: Servo belt infeed

-QC: QC system

## George Gordon Associates, Inc.

12 Continental Boulevard

Merrimack, NH 03054

Call 603-424-5204

FAX: 603-424-9031

E-mail: sales@ggapack.com

Web: www.ggapack.com